



Swivel (360°)



Tilt (90°)

# DB-II SERIES

## Platform Scale

DB-II with its pivoting display is designed with easy-use and flexibility in mind. Advanced functions and features such as percentage weighing, counting, cumulative weight sum mode and weighing comparison.

Ideal for industrial conditions such as logistics, food processing and also chemical plants.

- **Trade approved (NMI No. 6/9C/284)**
- Swivel & tiltable display
- RS-232C Interface
- Optional wall mount
- Optional 'Base only'



# DB-II SERIES | Bench Scale

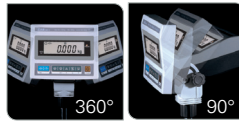
## LCD DISPLAY

DB-II is equipped with large 20mm display. The user will have no trouble seeing the displayed information at a distance.



## PIVOT / TILT INDICATOR

Now you can move the indicator box in all directions to have the best viewable angle. Indicator can be detached and placed on a wall mount.



## PRINTING

Print every weighing mode with real time stamp using CAS DEP-50(Ticket) and DLP-50(Label) printer. DB-II is also compatible with many other serial printers.



DEP-50

## WEIGHING FUNCTION

- General Weighing Mode
- Percentage Weighing Mode
- Cumulative Weight Sum Mode
- Weighing Comparison (HI/LOW/OK)
- Tare / Hold
- Counting Mode

## SPECIFICATIONS

Model	DB-II			
Max. Capacity (kg)	30	60	150	300
Division (g)	10	10/20	20/50	50/100
External Resolution	1/3,000			
Display Digit	6 Digits			
Display Type	LCD			
Operating Temp.	-10°C ~ 40°C			
Power	DC12V Adapter 1500mA			
Platter Size (mm)	280(W) x 280(D)	360(W) x 460(D) Medium size 420(W) x 510(D) Large size 460(W) x 570(D) x Large size	460(W) x 570(D) x Large size	

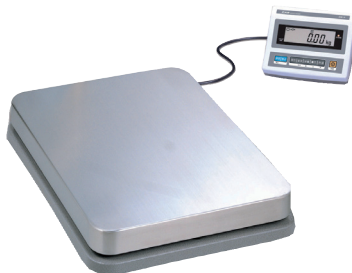
**NOTE:** NMI No. 6/9C/284 for LCD 6, 15, 30, 60, 150kg, Single range approved.  
NMI No. 6/9C/284 for LCD 30 Single range approved and 60, 150kg, Dual range approved.

## FEATURES

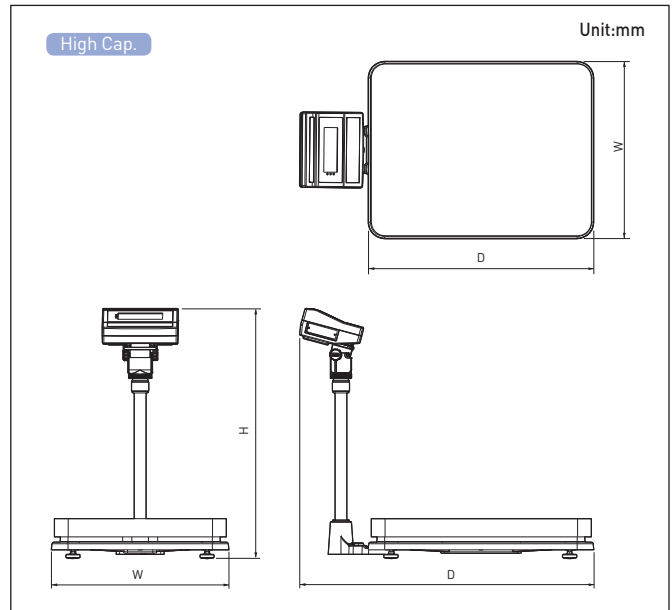
- Tilt (90°) and swivel (360°) head
- Aluminum die casting platform
- RS-232C Interface
- Backlight
- Counting function

## OPTIONS

- Printer: DEP-50 (ticket)
- Base only
- Wall-mount
- DLP-50
- Dust cover



## DIMENSIONS



• Wall-mount



• Dust cover

# CAS

UNIT 8, NORTHLINK, 459 TUFNELL ROAD  
BANYO QLD 4014, AUSTRALIA  
TEL\_ +61 7 3267 7767 FAX\_ +61 7 3267 1818  
EMAIL\_ sales@casscale.com.au  
[www.cassscale.com.au](http://www.cassscale.com.au)

Specifications are subject to change for improvement without prior notice.